

473100

Illustrated Parts List

Model Series

473100

TYPE NUMBERS
0100 And 0113.

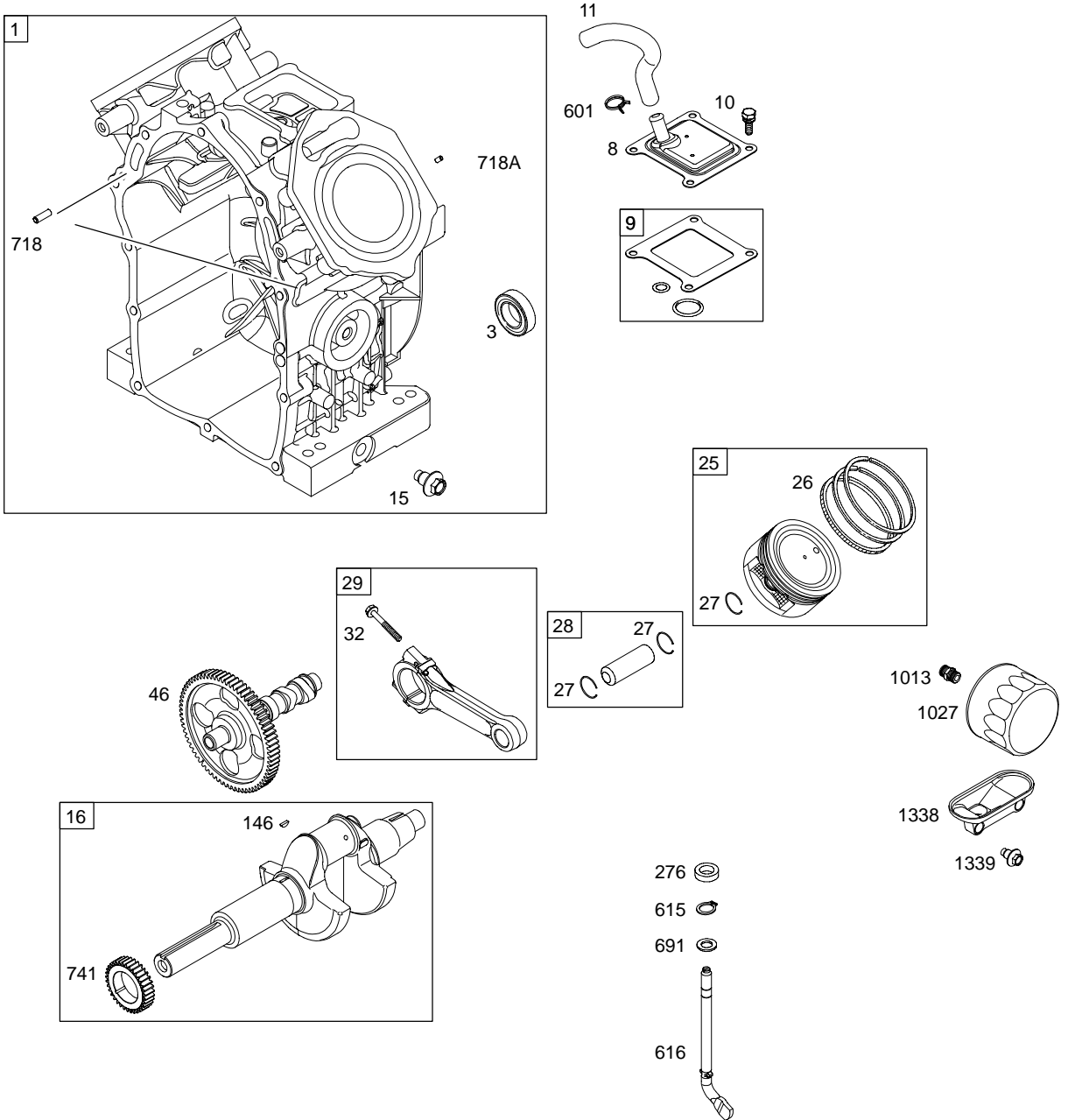
TABLE OF CONTENTS

Air Cleaners	7
Alternator	10
Cams	2
Carburetor	6
Controls	8
Crankcase Cover/Sump	4
Crankshaft	2
Cylinder	2
Electric Starter	10
Flywheel	9
Governor Springs	8
Head/Valves	3
Intake Manifolds	4
Kit/Gasket Set - Carburetor	5
Kit/ Valve Set	5
Kit/ Engine Set	5
Muffler	7
Pistons	2
Radiator Fan	11
Radiator	12

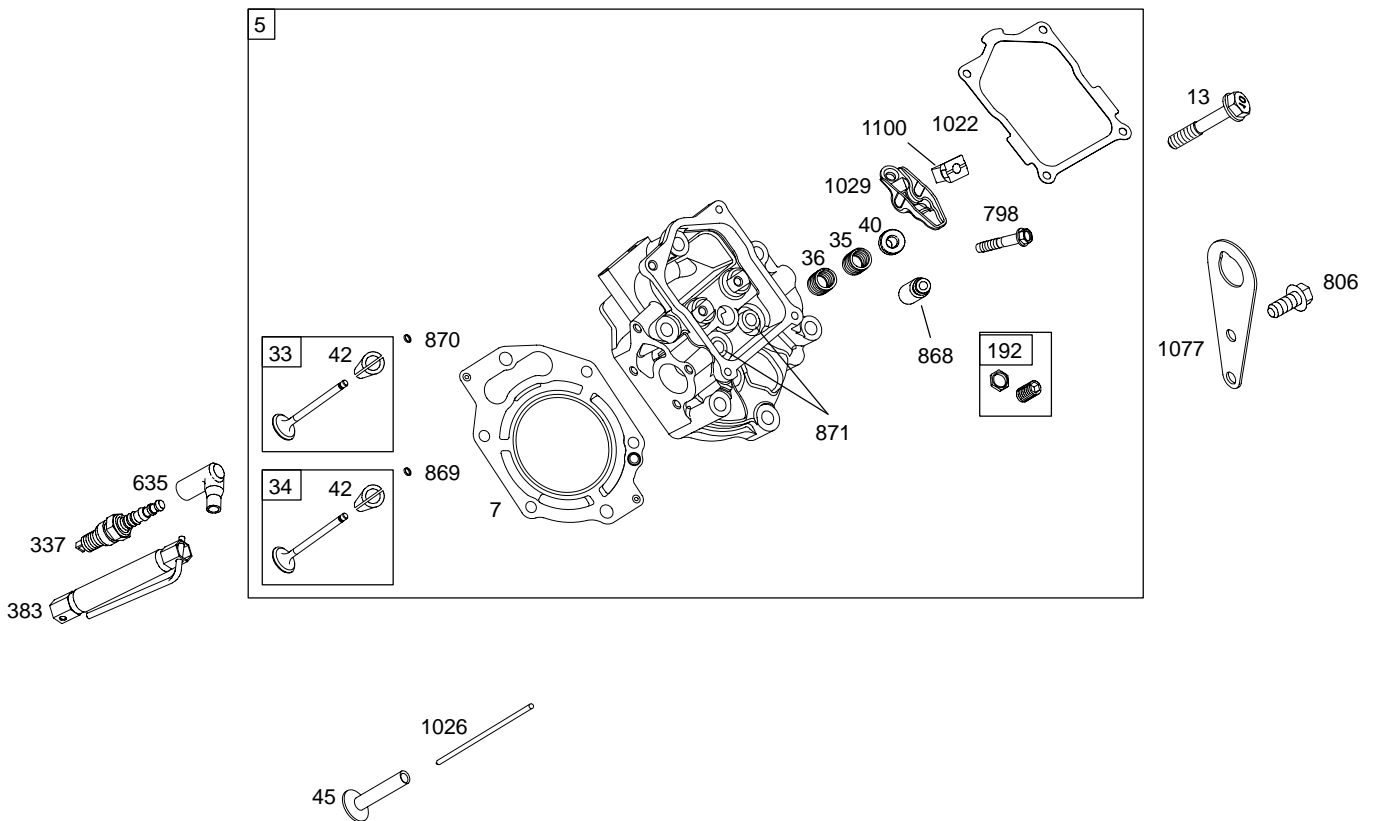
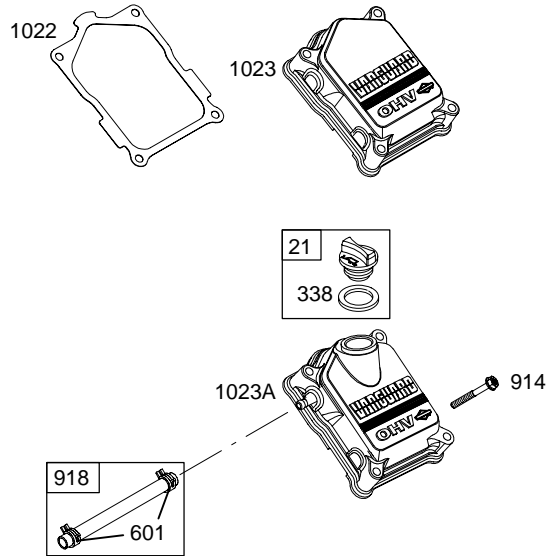


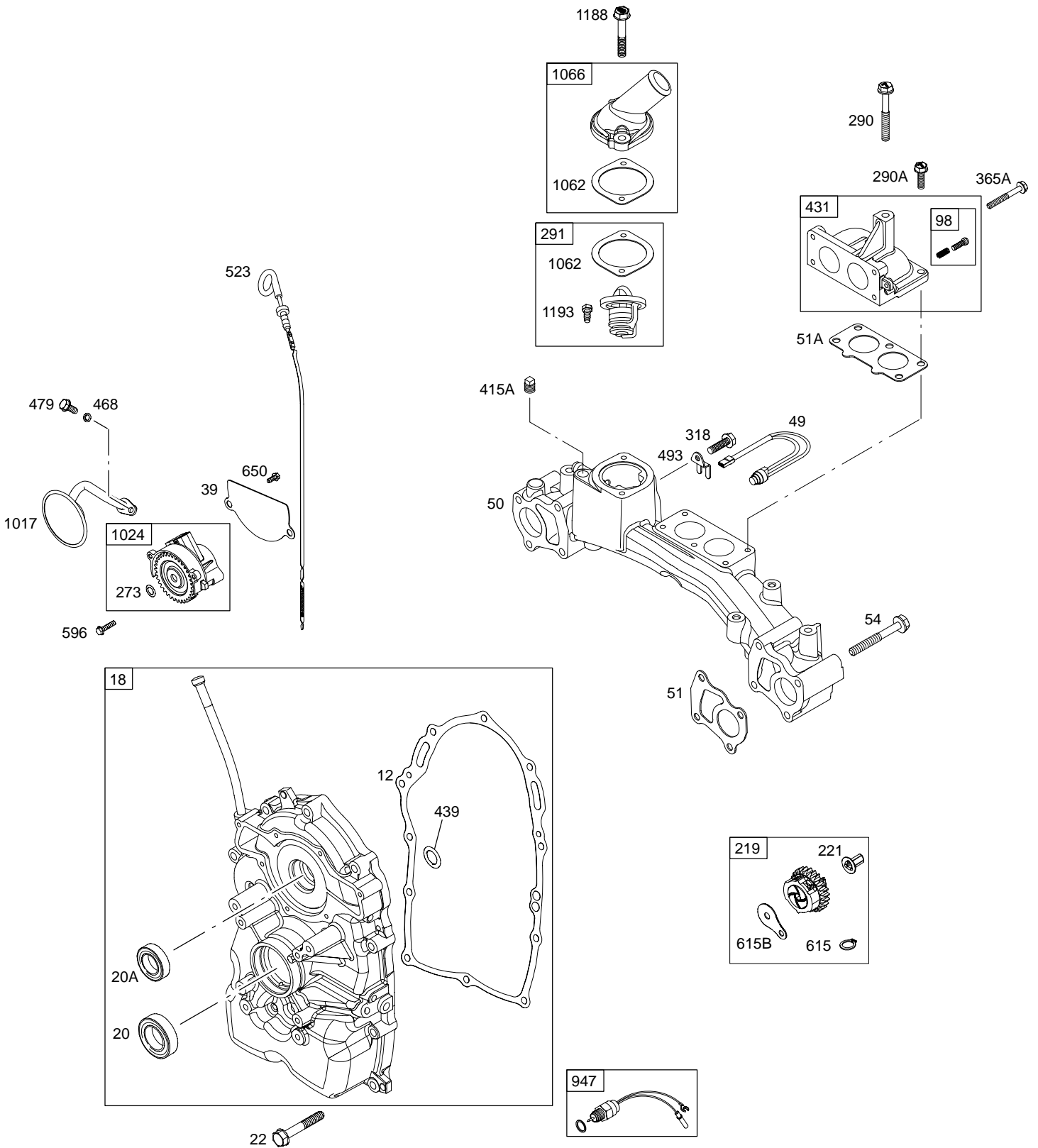
PRINTED IN U.S.A.

COPYRIGHT by BRIGGS & STRATTON CORPORATION
All rights reserved. No part of this material may be reproduced or transmitted,
in any form or by any means, electronic or mechanical, including photocopying,
recording or by any information storage and retrieval system, without permission
in writing from Briggs & Stratton Corporation.

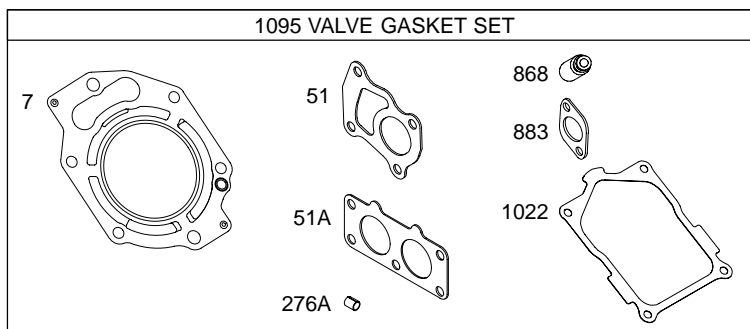
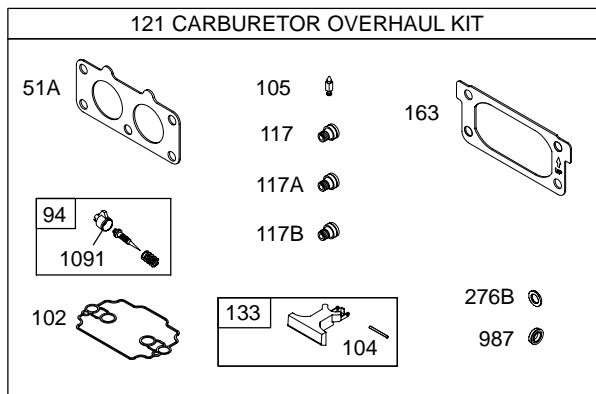
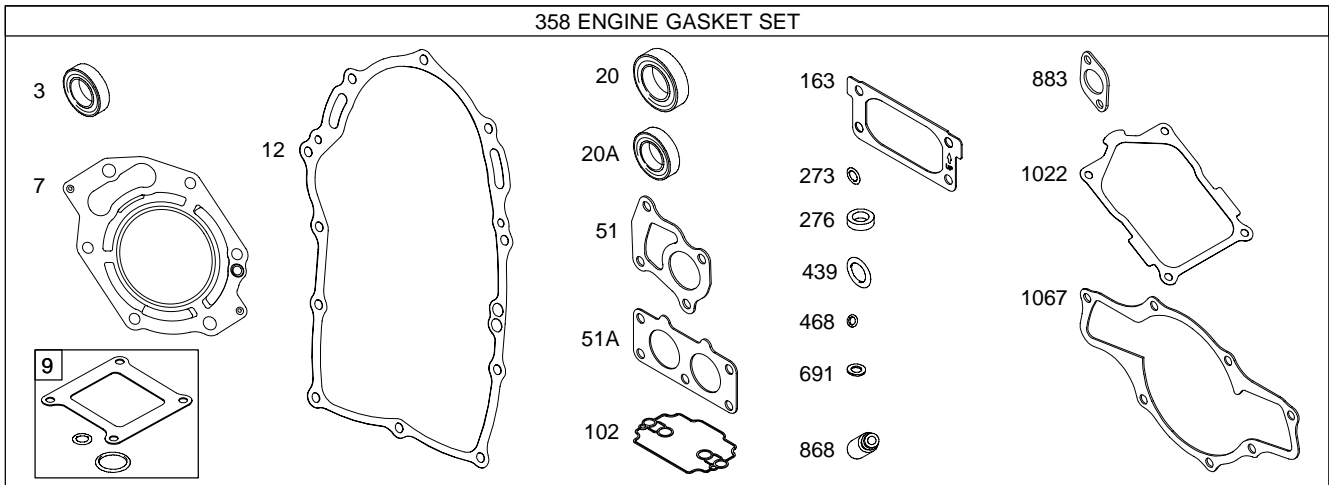


Illustrations cover a range of engines. Parts shown without corresponding text may not be used on your specific engine.
 5734-2 Assemblies include all parts shown in frames. 4/27/2004

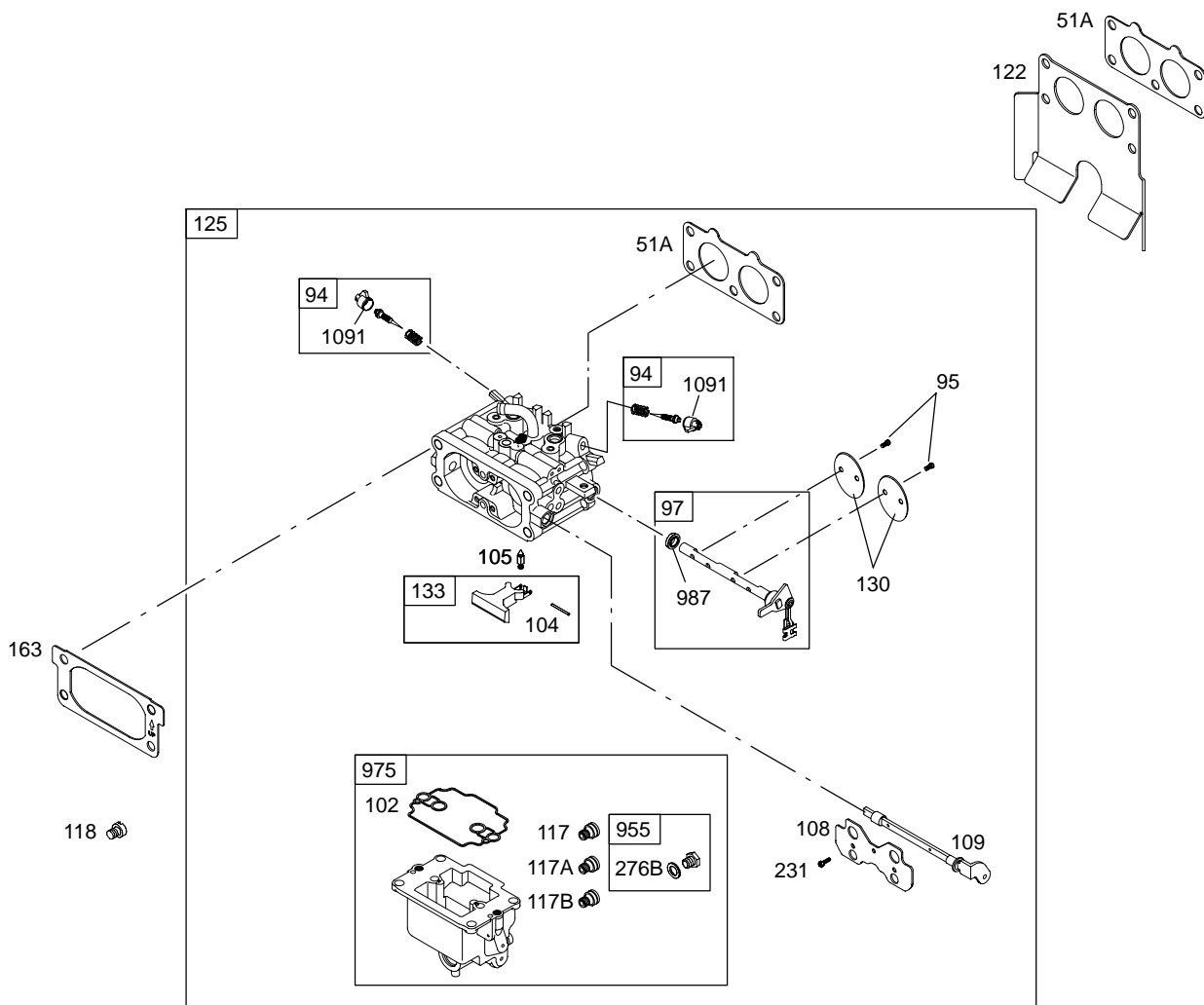




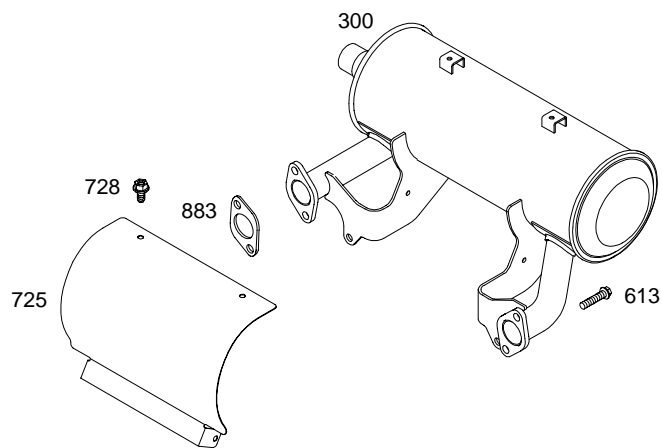
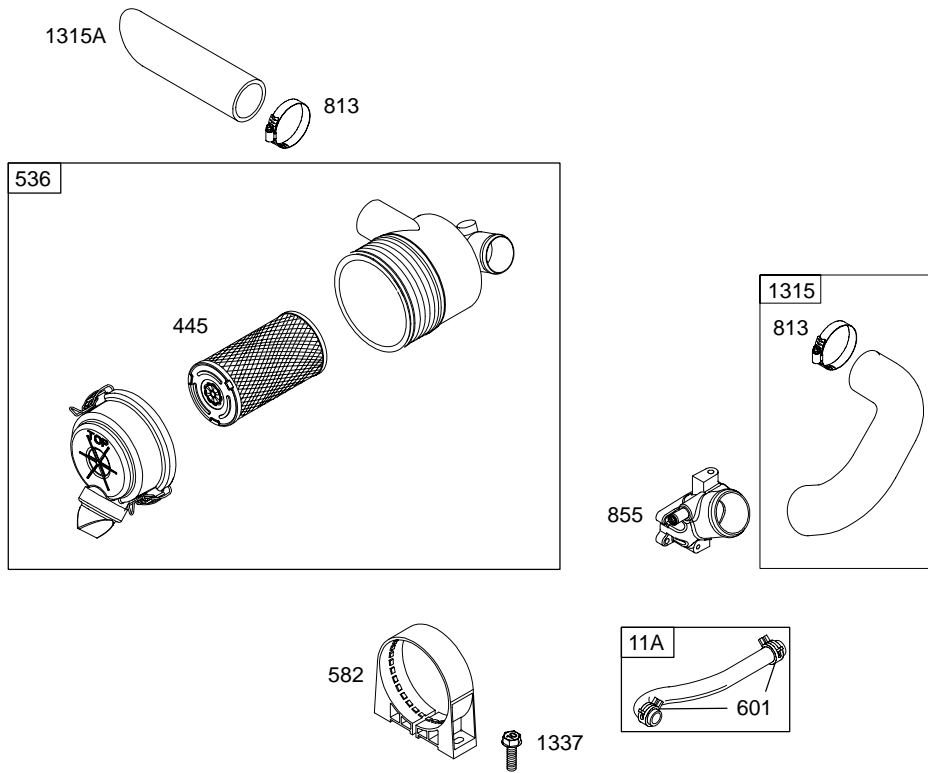
Illustrations cover a range of engines. Parts shown without corresponding text may not be used on your specific engine.
5734-4 Assemblies include all parts shown in frames. **4/27/2004**



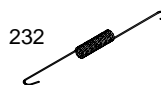
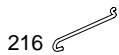
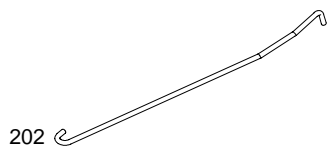
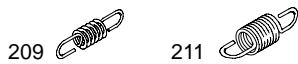
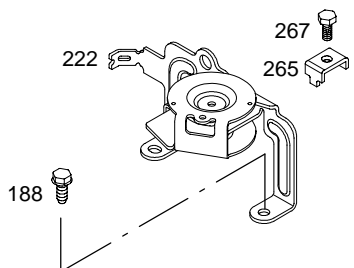
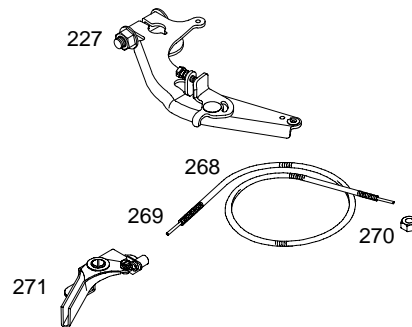
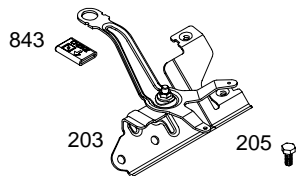
Illustrations cover a range of engines. Parts shown without corresponding text may not be used on your specific engine.



Illustrations cover a range of engines. Parts shown without corresponding text may not be used on your specific engine.



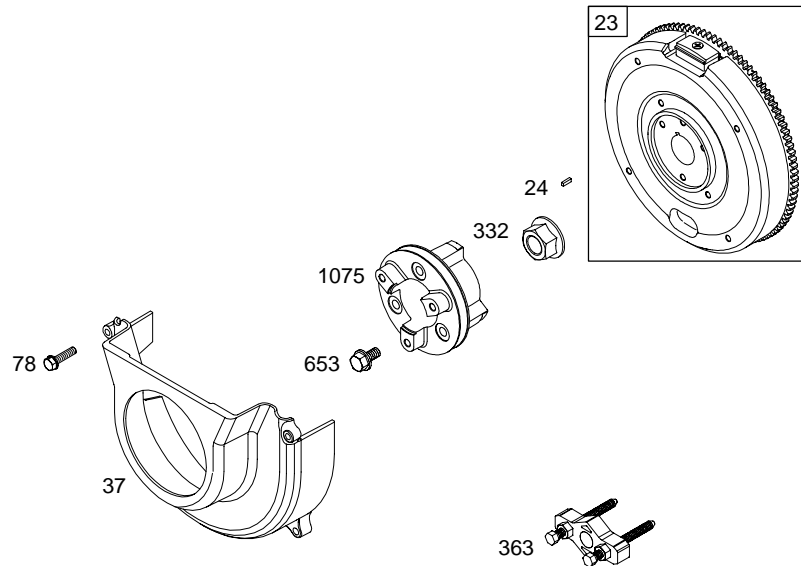
Illustrations cover a range of engines. Parts shown without corresponding text may not be used on your specific engine.
5734-7 Assemblies include all parts shown in frames. 4/27/2004



5734-8 *Illustrations cover a range of engines. Parts shown without corresponding text may not be used on your specific engine.*


Assemblies include all parts shown in frames.

4/27/2004


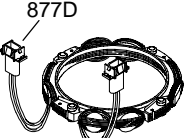
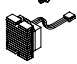
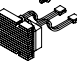


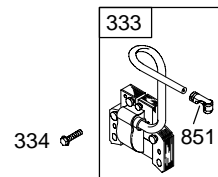
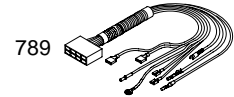
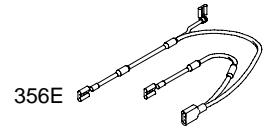
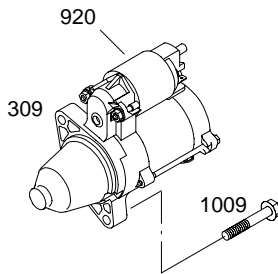
Illustrations cover a range of engines. Parts shown without corresponding text may not be used on your specific engine.

473100

NOTE: All stators use a No. 1119 mounting screw. 

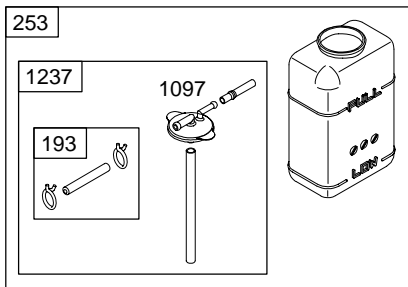
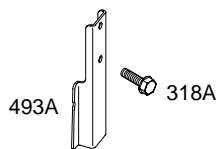
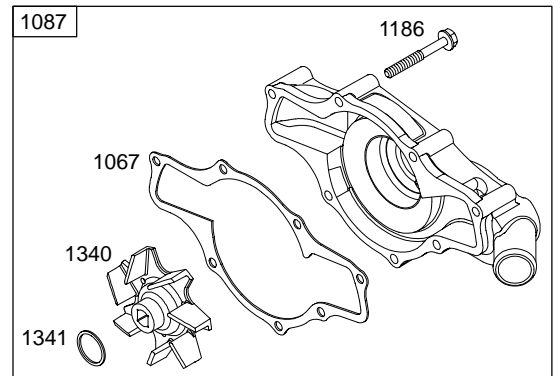
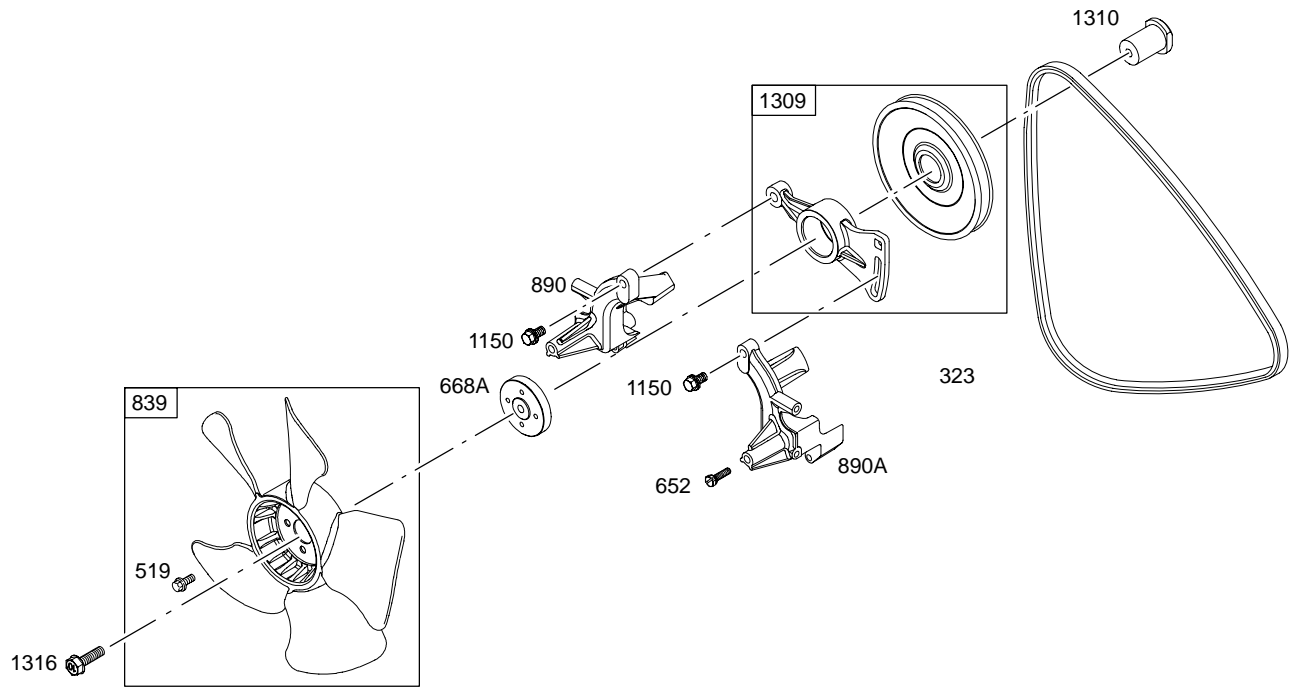
NOTE: The proper flywheel part number and/or the alternator magnet size will determine the alternator type or output. See repair instruction manual for additional information.

20 AMP	20/50 AMP
<div data-bbox="133 359 196 390" style="border: 1px solid black; padding: 2px;">474E</div> 	<div data-bbox="342 359 406 390" style="border: 1px solid black; padding: 2px;">474G</div> 
<div data-bbox="204 646 267 678" style="border: 1px solid black; padding: 2px;">526B</div> <div data-bbox="172 709 235 741" style="border: 1px solid black; padding: 2px;">501B</div> 	<div data-bbox="410 646 474 678" style="border: 1px solid black; padding: 2px;">526B</div> <div data-bbox="378 709 441 741" style="border: 1px solid black; padding: 2px;">501D</div> 

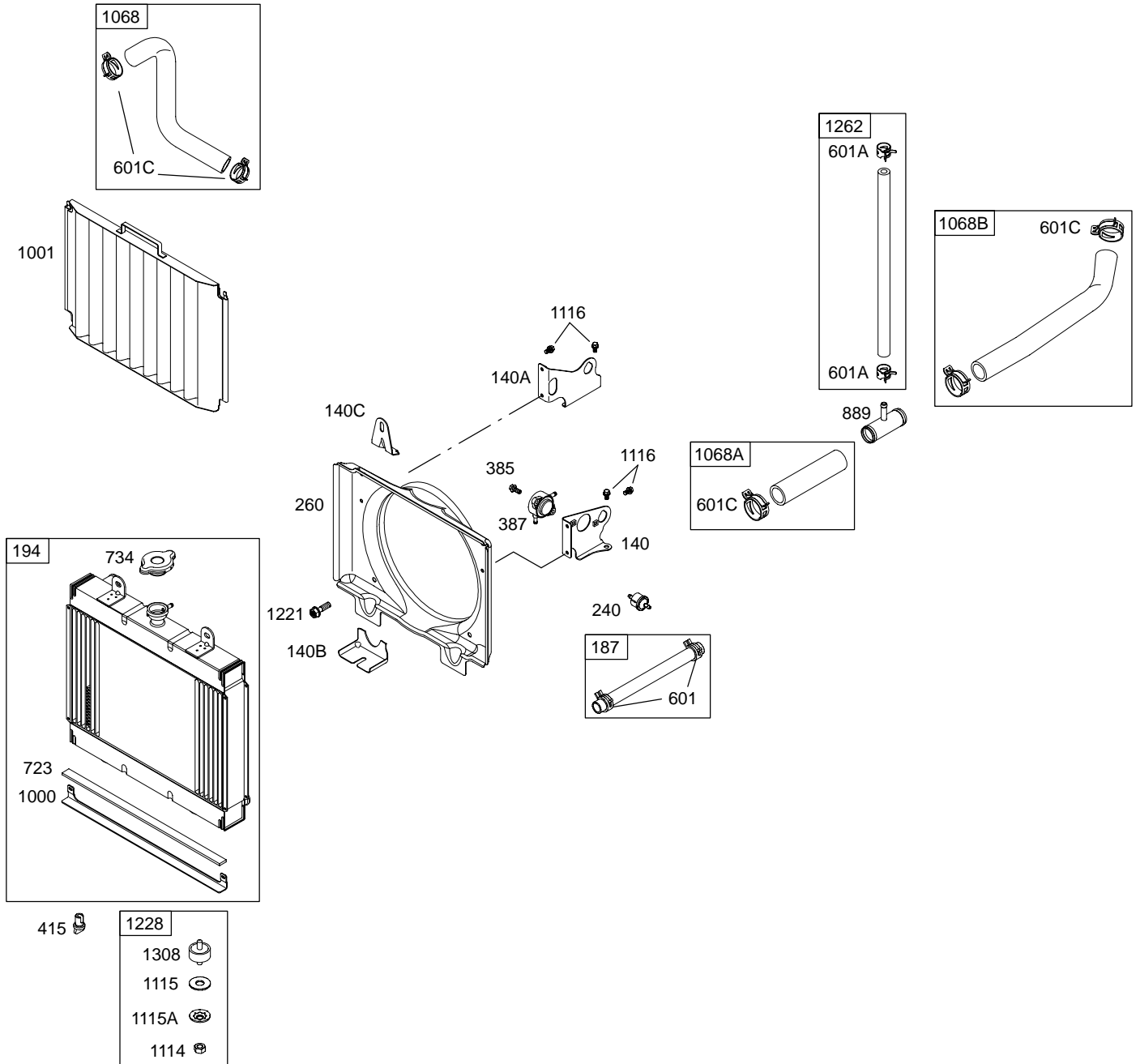


Illustrations cover a range of engines. Parts shown without corresponding text may not be used on your specific engine.
5734-10 Assemblies include all parts shown in frames.

4/27/2004



Illustrations cover a range of engines. Parts shown without corresponding text may not be used on your specific engine.
 5734-11 Assemblies include all parts shown in frames.



5734-12 *Illustrations cover a range of engines. Parts shown without corresponding text may not be used on your specific engine.* Assemblies include all parts shown in frames. **4/27/2004**

REF. NO.	PART NO.	DESCRIPTION	REF. NO.	PART NO.	DESCRIPTION	REF. NO.	PART NO.	DESCRIPTION
1	841278	Cylinder Assembly (Used After Code Date 03102800). ----- Note ----- 809285 Cylinder Assembly (Used Before Code Date 03102900). 841553 Cylinder Assembly Used on Type No(s). 0113.	18	809539	Cover-Crankcase	32	807363	Screw (Connecting Rod)
3	★809510	Seal-Oil (Magneto Side)	20	★809378	Seal-Oil (PTO Side)	33	809376	Valve-Exhaust
5	809276	Head-Cylinder (Cylinder 1) ----- Note ----- 809277 Head-Cylinder (Cylinder 2)	20A	★809510	Seal-Oil (Camshaft)	34	809375	Valve-Intake
7	★Δ807341	Gasket-Cylinder Head	21	809500	Cap-Oil Fill	35	809374	Spring-Valve (Intake)
8	809286	Breather Assembly	22	807362	Screw (Crankcase Cover/Sump) ----- Note ----- 692539 Screw (Crankcase Cover/Sump)	36	809374	Spring-Valve (Exhaust)
9	★809534	Gasket-Breather	23	841294	Flywheel (Used After Code Date 03102800). ----- Note ----- 809280 Flywheel (Used Before Code Date 03102900). 841295 Flywheel Used on Type No(s). 0113.	37	807332	Guard-Flywheel
10	692539	Screw (Breather Assembly)	24	222698	Key-Flywheel	39	809422	Deflector-Oil
11	807331	Tube-Breather	25	809561	Piston Assembly (Standard) ----- Note ----- 809563 Piston Assembly (.020" Oversize)	40	807492	Retainer-Valve
11A	809322	Line-Fuel (Cut To Required Length)	26	809557	Ring Set (Standard) ----- Note ----- 809559 Ring Set (.020" Oversize)	42	807683	Keeper-Valve
12	★807325	Gasket-Crankcase	27	807351	Lock-Piston Pin	45	809785	Tappet-Valve
13	807371	Screw (Cylinder Head) ----- Note ----- 807372 Screw (Cylinder Head)	28	807361	Pin-Piston (Standard)	46	841095	Camshaft
15	807392	Plug-Oil Drain	29	809275	Rod-Connecting (Standard)	49	807426	Sensor-Water Temperature
16	841280	Crankshaft (Used After Code Date 03102800). ----- Note ----- 809501 Crankshaft (Used Before Code Date 03102900). 841180 Crankshaft Used on Type No(s). 0113.				50	807432	Manifold-Intake
						51	★Δ807434	Gasket-Intake
						51A	★Δ690950	Gasket-Intake
						54	806444	Screw (Intake Manifold) (2-1/2" Long) ----- Note ----- 807437 Screw (Intake Manifold) (3-3/4" Long)
						78	807421	Screw (Flywheel Guard)
						94	●809648	Kit-Idle Mixture
						95	690728	Screw (Throttle Valve)
						97	809630	Shaft-Throttle
						98	809320	Kit-Idle Speed
						102	●★809645	Gasket-Carburetor
						104	●690739	Pin-Float Hinge
						105	●809759	Valve-Float Needle
						108	809643	Valve-Choke
						109	809802	Shaft-Choke

★ Included in Engine Gasket Set-Ref. No. 358.

● Included in Carburetor Overhaul Kit-Ref. No. 121.

■ Included in Carburetor Gasket Set-Ref. No. 977.

⊙ Included in Valve Gasket Set-Ref. No. 1095.

Illustrations cover a range of engines. Parts shown without corresponding text may not be used on your specific engine.

473100

REF. NO.	PART NO.	DESCRIPTION	REF. NO.	PART NO.	DESCRIPTION	REF. NO.	PART NO.	DESCRIPTION
117	●809634	Jet-Main (Standard) (Number 1184)	219	809426	Gear-Governor	318	692539	Screw (Mounting Bracket)
117A	●809635	Jet-Main (Standard) (Number 1144)	222	809273	Bracket-Control	318A	693169	Screw (Mounting Bracket)
117B	●841098	Jet-Main (Slow) (Number 0484)	227	809274	Lever-Governor Control	323	809365	Belt-Vee
118	809649	Jet-Main (High Altitude)	231	690718	Screw (Choke Valve)	332	807356	Nut (Flywheel)
121	809852	Kit-Carburetor Overhaul	232	691538	Switch-Governor Link	333	841279	Armature-Magneto (Used After Code Date 03102800).
122	807433	Spacer-Carburetor	239	841581	Switch-Oil Pressure (Used After Code Date 03102800).			
125	809647	Carburetor			----- Note -----			----- Note -----
130	809642	Valve-Throttle			690233 Switch-Oil Pressure (Used Before Code Date 03102900).			807360 Armature- Magneto (Used Before Code Date 03102900).
133	●809637	Float-Carburetor	240	691035	Filter-Fuel	334	692066	Screw (Magneto Armature)
140	809401	Bracket-Radiator	253	809411	Tank-Reserve	337	692051	Plug-Spark
140A	809402	Bracket-Radiator	260	809414	Shroud-Fan	338	★△691312	Gasket-Dipstick
140B	809415	Bracket-Radiator	265	691024	Clamp-Casing	344	692539	Screw (Cable Clamp)
140C	809416	Bracket-Radiator	267	692539	Screw (Casing Clamp)	356E	691999	Wire-Stop
146	222698	Key-Timing			----- Note -----	358	809857	Gasket Set-Engine
163	★807375	Gasket-Air Cleaner			841552 Screw	363	19203	Puller-Flywheel
187	691050	Line-Fuel	268	691025	Casing-Control Wire	365A	807437	Screw (Carburetor)
188	692539	Screw (Control Bracket)	269	691026	Wire-Control	383	19374	Wrench-Spark Plug
192	807623	Adjuster-Rocker Arm	270	691027	Nut (Control Wire Casing)	385	693169	Screw (Fuel Pump)
193	809518	Hose-Reserve Tank	271	691028	Lever-Control	387	807429	Pump-Fuel
194	809405	Radiator	273	★690681	Seal-O Ring (Oil Pump)	415	809404	Plug (Radiator)
202	807358	Link-Mechanical Governor	276	★809436	Washer-Sealing	415A	809502	Plug
203	807391	Crank-Bell	290	807436	Screw (Intake Elbow)	431	807319	Elbow-Intake
205	692539	Screw (Bellcrank)	290A	807435	Screw (Intake Elbow)	439	★692154	Seal-O Ring
209	807328	Spring-Governor	291	841491	Thermostat	445	820263	Filter-Air Cleaner Cartridge
211	807327	Spring-Governed Idle	300	807451	Muffler	468	★690690	Seal-O Ring (Oil Pump Screen)
216	807342	Link-Choke	309	807383	Motor-Starter			

★ Included in Engine Gasket Set-Ref. No. 358.

● Included in Carburetor Overhaul Kit-Ref. No. 121.

■ Included in Carburetor Gasket Set-Ref. No. 977.

∅ Included in Valve Gasket Set-Ref. No. 1095.

Illustrations cover a range of engines. Parts shown without corresponding text may not be used on your specific engine.

REF. NO.	PART NO.	DESCRIPTION	REF. NO.	PART NO.	DESCRIPTION	REF. NO.	PART NO.	DESCRIPTION
474E	696579	Alternator (20 Amp)	650	692539	Screw (Oil Deflector)	877D	698092	Wire/Connector Alternator
474G	841178	Alternator (20/50 Amp) Used on Type No(s). 0113.	652	809529	Screw (Support Bracket)	883	★△807326	Gasket-Exhaust
479	807084	Screw (Oil Pump Screen)	653	809528	Screw (Crankshaft Pulley) (2-1/2" Long)	889	807339	Tee
493	807427	Bracket-Mounting (Water Temp Sensor)			----- Note -----	890	807444	Bracket-Support (Left Hand)
493A	809400	Bracket-Mounting (Radiator/Shroud)			809527 Screw (Crankshaft Pulley) (1-1/2" Long)	890A	807445	Bracket-Support (Right Hand)
501B	691573	Regulator	668A	807443	Spacer	914	807357	Screw (Rocker Cover)
501D	841170	Regulator Used on Type No(s). 0113.	691	★809287	Seal-Governor Shaft	918	809323	Hose-Vacuum
519	807382	Screw (Radiator Fan)	718	690959	Pin-Locating	920	825418	Solenoid-Starter
523	807450	Dipstick (Standard)	718A	809508	Pin-Locating	947	809714	Solenoid-Fuel
526B	807385	Screw (Regulator)	723	841563	Seal-Foam	955	809640	Plug-Carburetor
536	825118	Cleaner-Air	725	807453	Shield-Heat Used on Type No(s). 0112.	975	809650	Bowl-Float
582	807381	Clamp-Air Cleaner	725A	841282	Shield-Heat	987	●809639	Seal-Throttle Shaft
587	807386	Clamp-Cable	728	692067	Screw (Heat Shield) Used on Type No(s). 0112.	1000	809406	Guard-Radiator
596	691492	Screw (Oil Pump)	734	809403	Cap-Radiator Used on Type No(s). 0112.	1001	809399	Screen-Radiator
601	691038	Clamp-Hose ----- Note ----- 807353 Clamp-Hose	741	809432	Gear-Timing	1009	690711	Screw (Starter Motor)
601A	807422	Clamp-Hose	789	807324	Harness-Wiring	1013	809505	Nipple-Oil Filter
601C	807354	Clamp-Hose	798	691592	Screw	1017	809421	Screen-Oil Pump
601D	807353	Clamp-Hose	806	692062	Screw (Lifting Bracket)	1022	★△807333	Gasket-Rocker Cover
613	809743	Screw (Muffler) ----- Note ----- 692062 Screw (Muffler) Used on Type No(s). 0112.	813	807376	Clamp-Hose ----- Note ----- 807377 Clamp-Hose	1023	807334	Cover-Rocker
615	809533	Retainer-Governor Shaft	839	809321	Fan-Radiator	1023A	809521	Cover-Rocker ----- Note ----- 807359 Cover-Rocker Used on Type No(s). 0100, 0112.
615B	698290	Retainer-Governor Shaft	843	809672	Sleeve-Lever	1024	809396	Pump-Oil
616	809433	Crank-Governor	851	493880	Terminal-Spark Plug	1026	807336	Rod-Push
635	692076	Boot-Spark Plug	855	807355	Adapter-Air Cleaner	1027	492932	Filter-Oil
			868	★△691963	Seal-Valve	1029	807323	Arm-Rocker
			869	807489	Seat-Valve (Intake)	1036	698943	Label-Emissions
			870	807489	Seat-Valve (Exhaust)	1054	807340	Tie-Cable
			871	692057	Bushing-Valve Guide	1058	275183	Operator's Manual
						1062	809397	Gasket-Outlet Housing
						1066	841284	Housing-Inlet
						1067	★807387	Gasket-Water Pump
						1068	841286	Hose/Clamp Assembly
						1068A	809410	Hose/Clamp Assembly
						1068B	807425	Hose/Clamp Assembly
						1075	841293	Pulley-Crankshaft
						1077	807335	Bracket-Lifting
						1087	809282	Pump-Water

★ Included in Engine Gasket Set-Ref. No. 358.

● Included in Carburetor Overhaul Kit-Ref. No. 121.

■ Included in Carburetor Gasket Set-Ref. No. 977.

⊘ Included in Valve Gasket Set-Ref. No. 1095.

Illustrations cover a range of engines. Parts shown without corresponding text may not be used on your specific engine.

473100

REF. NO.	PART NO.	DESCRIPTION	REF. NO.	PART NO.	DESCRIPTION	REF. NO.	PART NO.	DESCRIPTION
1091	Δ691515	Cap-Limiter	1150	692539	Screw (Adjusting Strap)	1309	807442	Pulley-Fan
1095	809856	Gasket Set-Valve	1186	807389	Screw (Water Pump)	1310	809366	Shaft-Fan
1097	809413	Cap-Surge Tank	1188	807437	Screw (Inlet Housing)	1315	807379	Hose-Air Cleaner
1100	690973	Pivot-Rocker Arm	1193	807421	Screw (Thermostat)	1315A	807380	Hose-Air Cleaner
1114	691105	Nut (Radiator Support)	1221	692062	Screw (Fan Shroud)	1316	807382	Screw (Fan Shaft)
1115	809408	Washer (Radiator Support)	1228	809851	Mount-Radiator	1337	807382	Screw (Air Cleaner Clamp)
1115A	809417	Washer (Radiator Support)	1237	809413	Cap/Hose-Reserve	1338	809334	Tray-Oil Drip
1116	692539	Screw (Radiator Bracket)	1262	807423	Line-Water	1339	807435	Screw (Tray-Oil Drip)
1119	691552	Screw (Alternator)	1308	809407	Isolator	1340	809283	Impeller
						1341	841042	O-Ring

★ Included in Engine Gasket Set-Ref. No. 358.

● Included in Carburetor Overhaul Kit-Ref. No. 121.

■ Included in Carburetor Gasket Set-Ref. No. 977.

∅ Included in Valve Gasket Set-Ref. No. 1095.

Illustrations cover a range of engines. Parts shown without corresponding text may not be used on your specific engine.